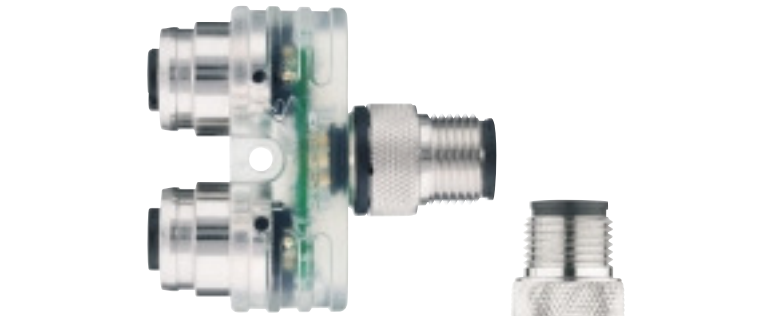




2-way Junction-Box-System



Y-splitter without cable

9.1-9.8



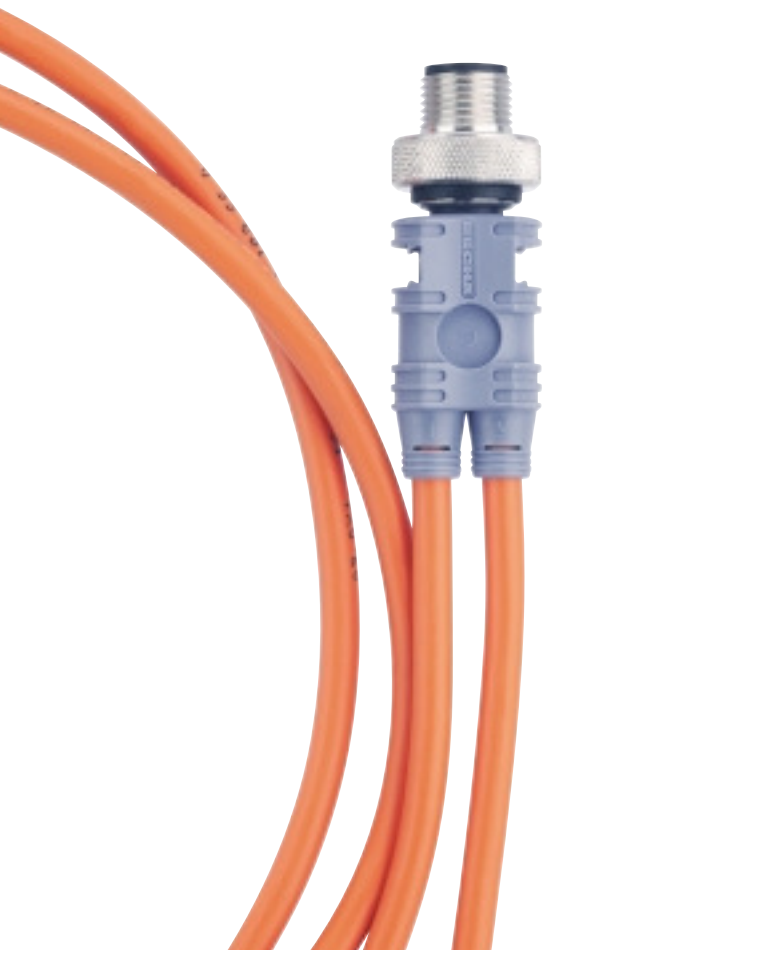
Block-splitter without cable

9.9-9.10



T-junction M12x1

9.11



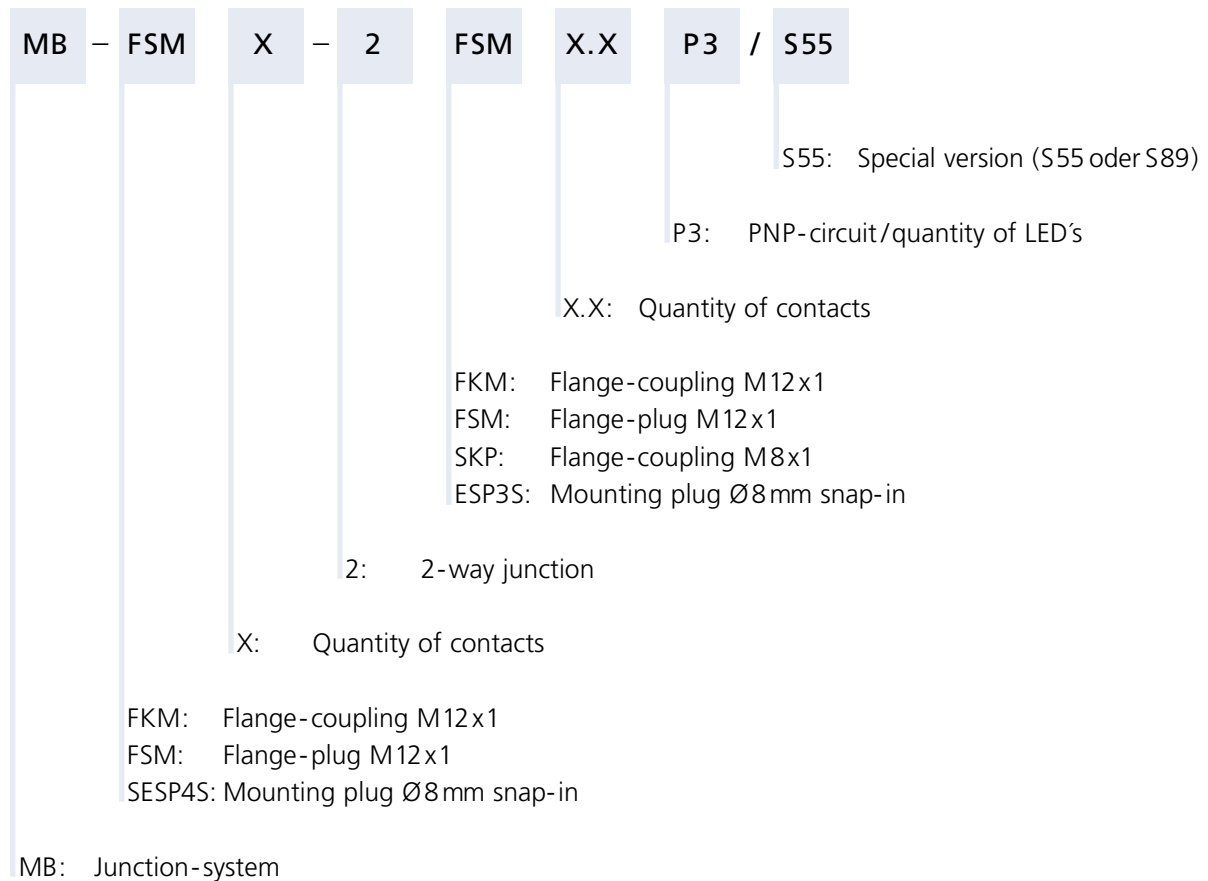
Block-splitter with cable

9.12-9.14

Y-splitter with cable

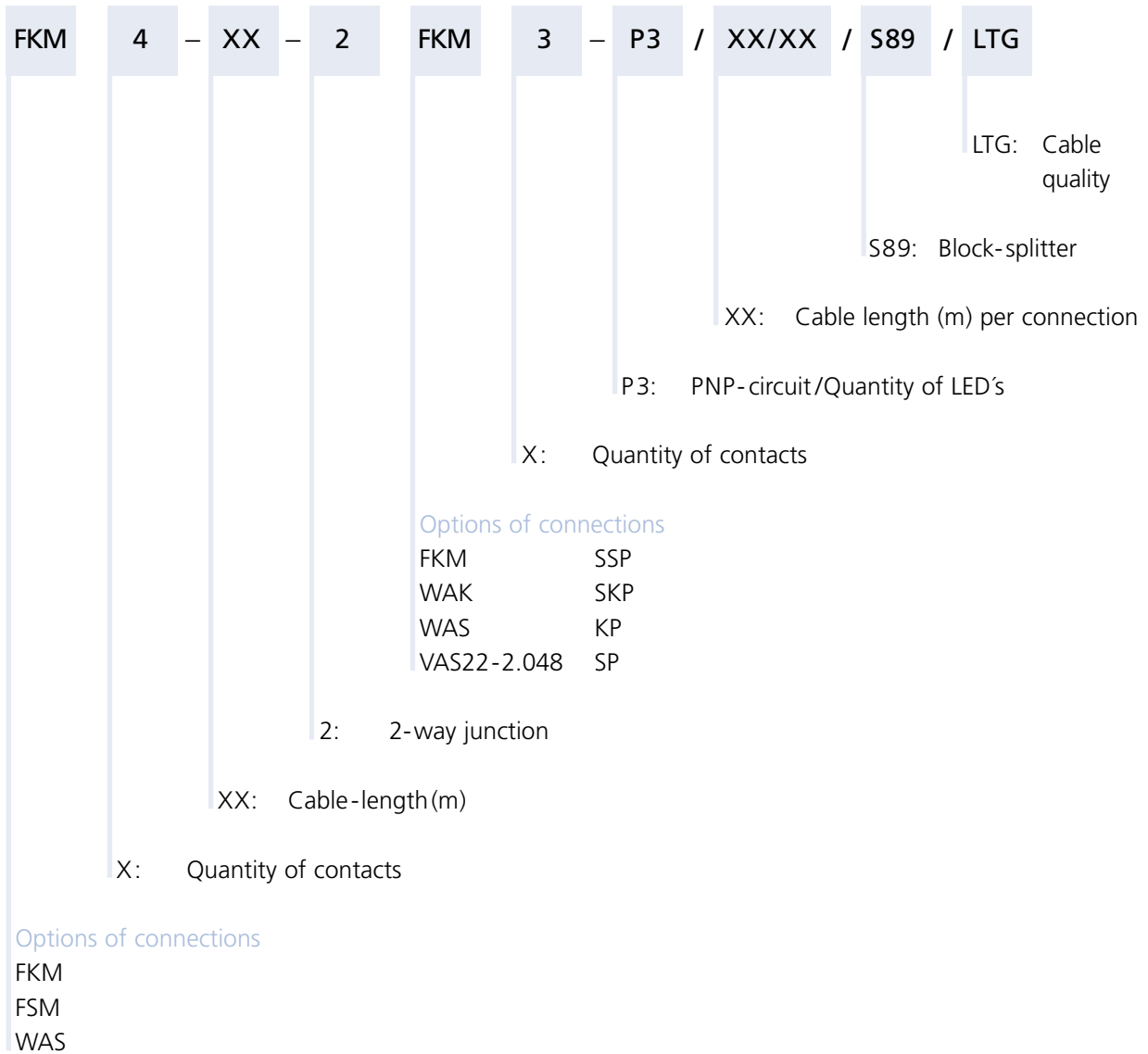
9.15-9.22

Nomenclature 2-way-junction-system without cable

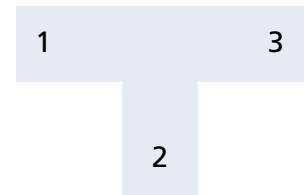
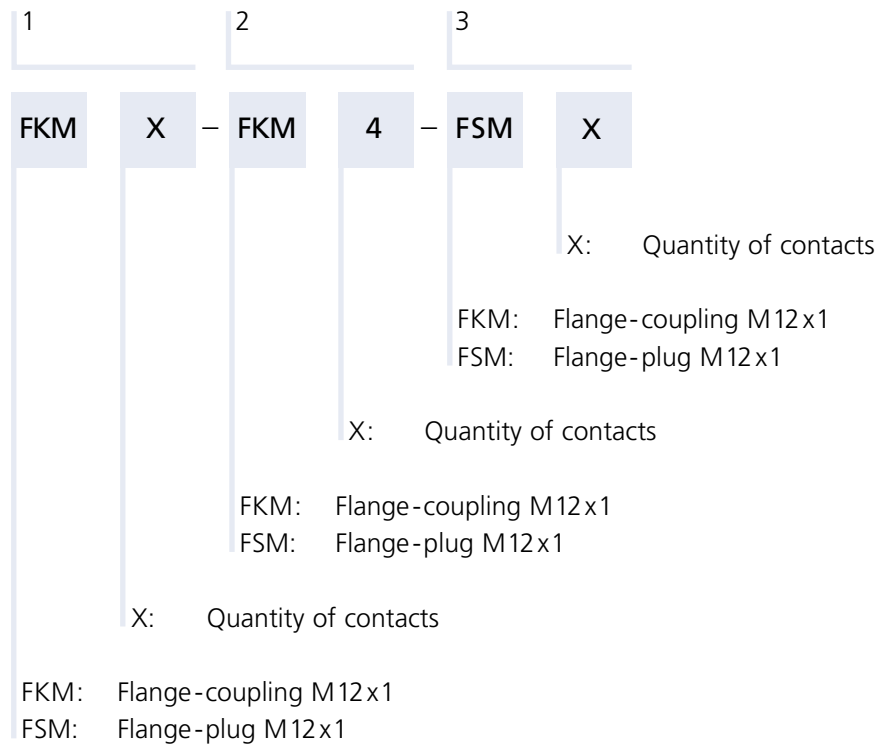


Non appropriate will be let out

Nomenclature 2-way-junction-system with cable



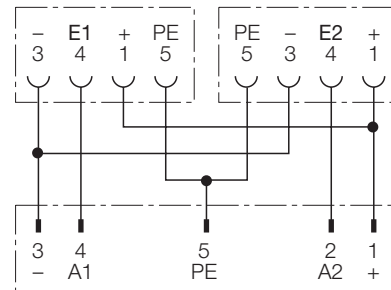
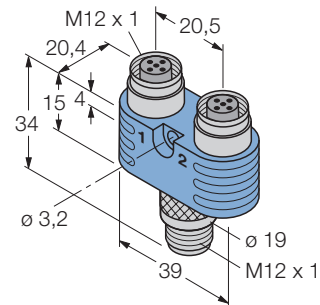
Nomenclature T-junction



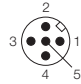
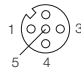
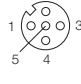
Non appropriate will be let out

2-way junction-systems Y-splitter without cable, Plug M12 x 1 - 2x coupling M12 x 1

Junction-box	Y-splitter, without cable, screwable, 5/4 poles
Connector	plug, M12 x 1, straight, 5 poles
Body	plastic, TPU, blue
Coupling nut	metal, CuZn, nickel-plated
Contact carrier	plastic, TPU, black
Contacts	metal, CuZn, gold-plated
Connector	coupling, 2x, M12 x 1, straight, 4 poles
Body	plastic, TPU, blue
Flange body	metal, CuZn, nickel-plated
Contact carrier	plastic, TPU, black
Contacts	metal, CuZn, gold-plated
Sealing	plastic, FPM (Viton)
Number of poles	5/4 poles
Ampacity	4 A
Rated voltage	max. 60 V
Insulation resistance	$\geq 10^9 \Omega$
Volume resistance	$\leq 5 \text{ m}\Omega$
Degree of pollution	3/2
Ambient temperature junction-box	-30 ... +90 °C
Protection class	IP67
Mechanical life cycle	max. 100 contact durability



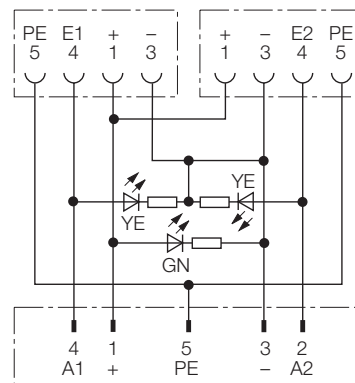
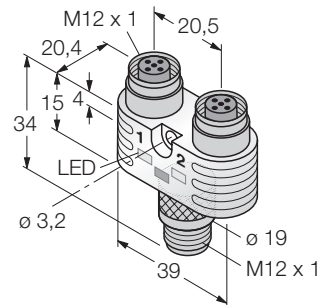
Standard cable-length

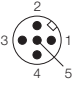
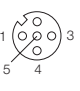
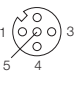
Coding	Cable-quality Wire-construction	Type-designation Order-number
5 poles 		
4 poles 		MB-FSM5-2FKM5.4 8024643
4 poles 		

2-way junction-systems

Y-splitter without cable, plug M12 x 1 - 2x coupling M12 x 1, with 3-fold LED

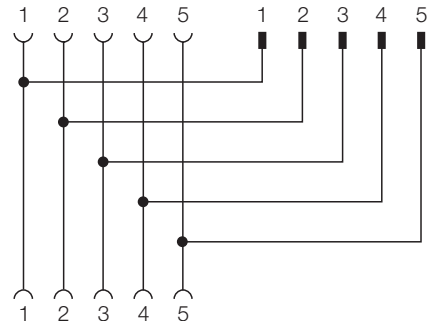
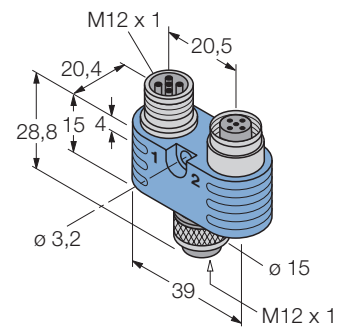
Junction-box	Y-splitter, without cable, screwable, 5/4 poles
Connector	plug, M12 x 1, straight, 5 poles
Body	plastic, TPU, blue
Coupling nut	metal, CuZn, nickel-plated
Contact carrier	plastic, TPU, black
Contacts	metal, CuZn, gold-plated
Connector	coupling, 2x, M12 x 1, straight, 4 poles
Body	plastic, TPU, transparent
Flange body	metal, CuZn, nickel-plated
Contact carrier	plastic, TPU, black
Contacts	metal, CuZn, gold-plated
Sealing	plastic, FPM (Viton)
Number of poles	5/4 poles
Ampacity	4 A
Rated voltage	10 ...30 V
Insulation resistance	$\geq 10^9 \Omega$
Volume resistance	$\leq 5 \text{ m}\Omega$
Degree of pollution	3/2
Supply voltage	LEDgreen
Switching status display	LED, yellow
Switching function	pnp
Ambient temperature junction-box	-30 ... +90 °C
Protection class	IP67
Mechanical life cycle	max. 100 contact durability



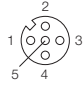
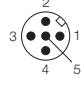
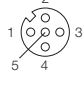
Coding		Cable-quality	Standard cable-length
		Wire-construction	Type-designation Order-number
5 poles			
4 poles			MB-FSM5-2FKM5.4P3 8024644
4 poles			

2-way junction-systems Y-splitter without cable, M12 x 1 / coupling - plug - coupling

Junction-box	Y-splitter, without cable, 5 poles
Connector	coupling, M12 x 1, straight, 5 poles
Body	plastic, TPU, blue
Coupling nut	metal, CuZn, nickel-plated
Contact carrier	plastic, TPU, black
Contacts	metal, CuZn, gold-plated
Sealing	plastic, FPM (Viton)
Connector	plug/coupling, M12 x 1, straight, 5 poles
Flange body	metal, CuZn, nickel-plated
Contact carrier	plastic, TPU, black
Contacts	metal, CuZn, gold-plated
Number of poles	5 poles
Ampacity	4 A
Rated voltage	max. 60 V
Insulation resistance	$\geq 10^9 \Omega$
Volume resistance	$\leq 5 \text{ m}\Omega$
Degree of pollution	3/2
Ambient temperature junction-box	-30 ... +90 °C
Protection class	IP67
Mechanical life cycle	max. 100 contact durability



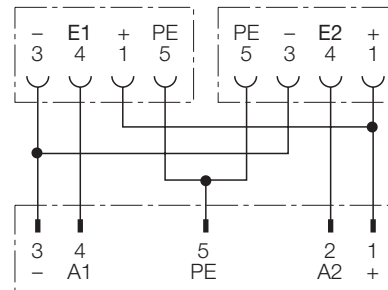
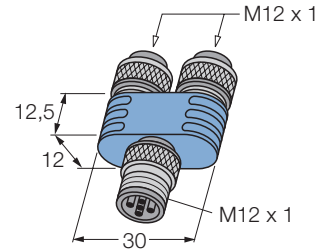
Standard cable-length

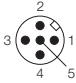
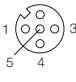
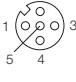
Coding	Cable-quality Wire-construction	Type-designation Order-number
5 poles 		
5 poles 		MB-FKM5-FSM5-FKM5 8024976
5 poles 		

2-way junction-systems

Y-splitter without cable, plug M12 x 1 - 2x coupling M12 x 1, miniature-type

Junction-box	Y-splitter, without cable, screwable, 5/4 poles
Connector	plug, M12 x 1, straight, 5 poles
Body	plastic, TPU, blue
Coupling nut	metal, CuZn, nickel-plated
Contact carrier	plastic, TPU, black
Contacts	metal, CuZn, gold-plated
Connector	coupling, 2x, M12 x 1, straight, 4 poles
Body	plastic, TPU, blue
coupling-nut	metal, CuZn, nickel-plated
Contact carrier	plastic, TPU, black
Contacts	metal, CuZn, gold-plated
Sealing	plastic, FPM (Viton)
Number of poles	5/4 poles
Ampacity	4 A
Rated voltage	max. 60 V
Insulation resistance	$\geq 10^9 \Omega$
Volume resistance	$\leq 5 \text{ m}\Omega$
Degree of pollution	3/2
Ambient temperature junction-box	-30 ... +90 °C
Protection class	IP67
Mechanical life cycle	max. 100 contact durability

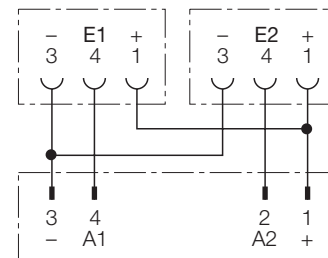
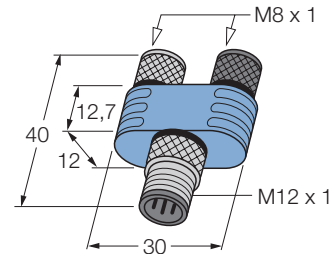


Coding		Cable-quality Wire-construction	Standard cable-length	
			Type-designation	Order-number
5 poles				
4 poles				
4 poles				
				FSM5-2FKM5.4/S55 8018720

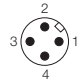
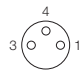
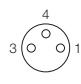
2-way junction-systems

Y-splitter without cable, plug M12 x 1 - 2x coupling M8 x 1, miniature-type

Junction-box	Y-Type, without cable, screwable, 4/3 poles
Connector	plug, M12 x 1, straight, 4 poles
Body	plastic, TPU, blue
Coupling nut	metal, CuZn, nickel-plated
Contact carrier	plastic, TPU, black
Contacts	metal, CuZn, gold-plated
Connector	coupling, 2x, M8 x 1, straight, 3 poles
Body	plastic, TPU, blue
coupling-nut	metal, CuZn, channel1: teflon-plated/ channel2: nickel-plated
Contact carrier	plastic, PA 6 GF, black
Contacts	metal, CuZn, gold-plated
Sealing	plastic, FPM (Viton)
Number of poles	4/3 poles
Ampacity	4 A
Rated voltage	max. 60 V
Insulation resistance	$\geq 10^9 \Omega$
Volume resistance	$\leq 5 \text{ m}\Omega$
Degree of pollution	3/2
Ambient temperature junction-box	-30 ... +90 °C
Protection class	IP67
Mechanical life cycle	max. 100 contact durability



Standard cable-length

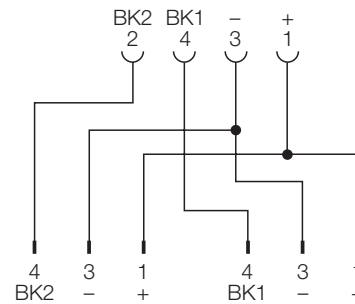
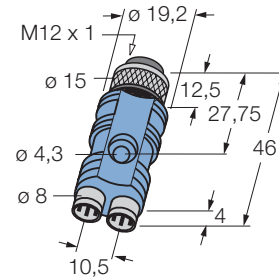
Coding		Cable-quality	Type-designation
		Wire-construction	Order-number
4 poles			
3 poles			FSM4-2SKP3/S55 8027000
3 poles			

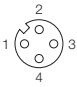


Subject to change without notice Edition: 05.2004

2-way junction-systems

Y-splitter without cable, coupling M12 x 1 - 2x plug Ø 8mm, snap-in

Junction-box	Y-Type, without cable, snap-in, 4/3 poles
Connector	coupling, M12 x 1, straight, 4 poles
Body	plastic, TPU, blue
Coupling nut	metal, CuZn, nickel-plated
Contact carrier	plastic, TPU, black
Contacts	metal, CuZn, gold-plated
Sealing	plastics, FPM (Viton)
Connector	plug, 2x, Ø 8 mm, straight, 3 poles
Body	plastic, TPU, blue
Contact carrier	plastic, PA 6-3-T, black
Contacts	metal, CuZn, gold-plated
Number of poles	4/3 poles
Ampacity	4 A
Rated voltage	max. 60 V
Insulation resistance	$\geq 10^9 \Omega$
Volume resistance	$\leq 5 \text{ m}\Omega$
Degree of pollution	3/2
Ambient temperature junction-box	-30 ... +90 °C
Protection class	IP67
Mechanical life cycle	max. 100 contact durability

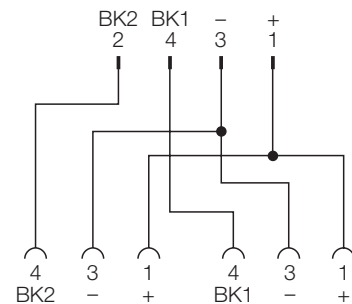
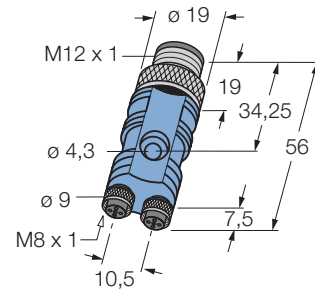


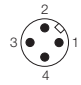
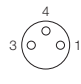
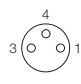
Coding		Cable-quality	Standard cable-length
		Wire-construction	Type-designation Order-number
4 poles			
3 poles			FKM4-2ESP3S 8008080
3 poles			

2-way junction-systems

Y-splitter without cable, plug M12 x 1 - 2x coupling M8 x 1, screwable

Junction-box	Y-Type, without cable, screwable, 4/3 poles
Connector	plug, M12 x 1, straight, 4 poles
Body	plastic, TPU, blue
Coupling nut	metal, CuZn, nickel-plated
Contact carrier	plastic, TPU, black
Contacts	metal, CuZn, gold-plated
Connector	coupling, 2x, M8 x 1, straight, 3 poles
Body	plastic, TPU, blue
coupling-nut	metal, CuZn, nickel-plated
Contact carrier	plastic, TPU, black
Contacts	metal, CuZn, gold-plated
Sealing	plastic, FPM (Viton)
Number of poles	4/3 poles
Ampacity	4 A
Rated voltage	max. 60 V
Insulation resistance	$\geq 10^9 \Omega$
Volume resistance	$\leq 5 \text{ m}\Omega$
Degree of pollution	3/2
Ambient temperature junction-box	-30 ... +90 °C
Protection class	IP67
Mechanical life cycle	max. 100 contact durability



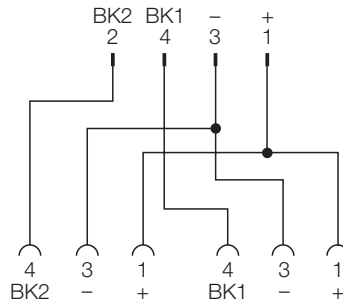
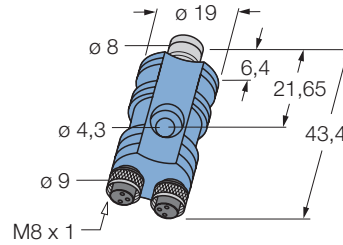
		Standard cable-length
Coding	Cable-quality <small>Wire-construction</small>	Type-designation Order-number
4 poles 		
3 poles 		FSM4-2SKP3 8008081
3 poles 		


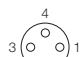
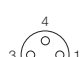
Subject to change without notice Edition: 05.2004

2-way junction-systems

Y-splitter without cable, plug Ø 8mm - 2x coupling M8 x 1, screwable

Junction-box	Y-Type, without cable, snap-in, 4/3 poles
Connector	plug, Ø 8 mm, straight, 4 poles
Body	plastic, TPU, blue
Coupling nut	plastic, CuZn, nickel-plated
Contact carrier	plastic, PA 6-3-T, black
Contacts	metal, CuZn, gold-plated
Connector	coupling, 2x, M8 x 1, straight, 3 poles
Body	plastic, TPU, blue
Flange body	metal, CuZn, nickel-plated
Contact carrier	plastic, TPU, black
Contacts	metal, CuZn, gold-plated
Sealing	plastic, FPM (Viton)
Number of poles	4/3 poles
Ampacity	4 A
Rated voltage	max. 30 V
Insulation resistance	$\geq 10^9 \Omega$
Volume resistance	$\leq 5 \text{ m}\Omega$
Degree of pollution	3/2
Ambient temperature junction-box	-30 ... +90 °C
Protection class	IP67
Mechanical life cycle	max. 100 contact durability

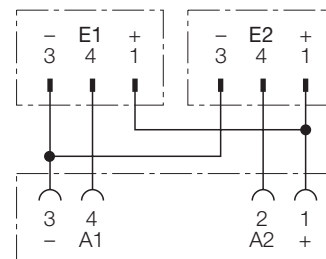
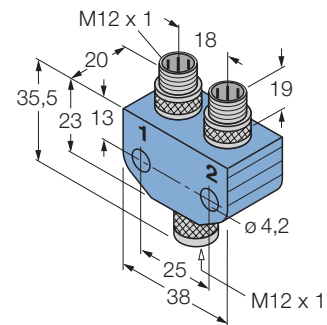


Coding		Cable-quality Wire-construction	Standard cable-length
			Type-designation Order-number
4 poles			
3 poles			SESP4S-2SKP3 8008082
3 poles			

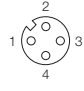
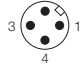

2-way junction-systems

Block-splitter without cable coupling M12x1 - 2x plug M12x1

Junction-box	block-splitter, without cable, 4/3 poles
Connector	coupling, M12 x 1, straight, 4 poles
Body	plastic, TPU, blue
Coupling nut	metal, CuZn, nickel-plated
Contact carrier	plastic, TPU, black
Contacts	metal, CuZn, gold-plated
Sealing	plastic, FPM (Viton)
Connector	plug, 2x, M12 x 1, straight, 3 poles
Body	plastic, TPU, blue
coupling-nut	metal, CuZn, nickel-plated
Contact carrier	plastics, TPU, black
Contacts	metal, CuZn, gold-plated
Number of poles	4/3 poles
Ampacity	4 A
Rated voltage	max. 250 V
Insulation resistance	$\geq 10^9 \Omega$
Volume resistance	$\leq 5 \text{ m}\Omega$
Degree of pollution	3/2
Ambient temperature junction-box	-30 ... +90 °C
Protection class	IP67
Mechanical life cycle	max. 100 contact durability



Standard cable-length

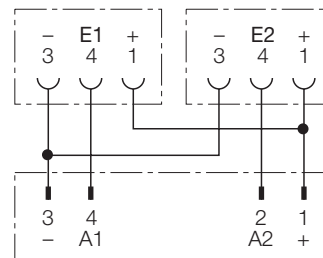
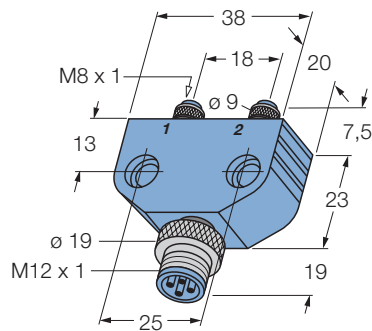
Coding	Cable-quality Wire-construction	Type-designation Order-number
4 poles 		
3 poles 		FKM4-2FSM3/S89 8012651
3 poles 		

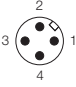
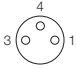
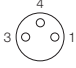
Subject to change without notice Edition: 05.2004

2-way junction-systems

Block-splitter without cable plug M12x1 - 2x coupling M8x1

Junction-box	block-splitter, without cable, screwable, 4/3 poles
Connector	plug, M12 x 1, straight, 4 poles
Body	plastic, TPU, blue
Coupling nut	metal, CuZn, nickel-plated
Contact carrier	plastic, TPU, black
Contacts	metal, CuZn, gold-plated
Connector	coupling, 2x, M8 x 1, straight, 3 poles
Body	plastic, TPU, blue
coupling-nut	metal, CuZn, nickel-plated
Contact carrier	plastic, TPU, black
Contacts	metal, CuZn, gold-plated
Sealing	plastic, FPM (Viton)
Number of poles	4/3 poles
Ampacity	4 A
Rated voltage	max. 60 V
Insulation resistance	$\geq 10^9 \Omega$
Volume resistance	$\leq 5 \text{ m}\Omega$
Degree of pollution	3/2
Ambient temperature junction-box	-30 ... +90 °C
Protection class	IP67
Mechanical life cycle	max. 100 contact durability



Coding		Cable-quality	Standard cable-length
		Wire-construction	Type-designation Order-number
4 poles			
3 poles			FSM4-2SKP3/S89 8013058
3 poles			

2-way junction-systems

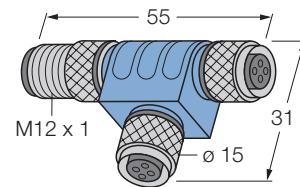
T - connection M12 x 1, coupling - coupling - plug

Junction-box
Connector
Body
Coupling nut
Contact carrier
Contacts
Sealing

T-connection, M12 x 1, 4 poles
coupling, M12 x 1, straight, 4 poles
plastic, TPU, blue
metal, CuZn, nickel-plated
plastic, TPU, black
metal, CuZn, gold-plated
plastics, FPM (Viton)

Connector
Body
coupling-nut
Contact carrier
Contacts

plug, M12 x 1, straight, 4 poles
plastic, TPU, blue
metal, CuZn, nickel-plated
plastic, TPU, black
metal, CuZn, gold-plated

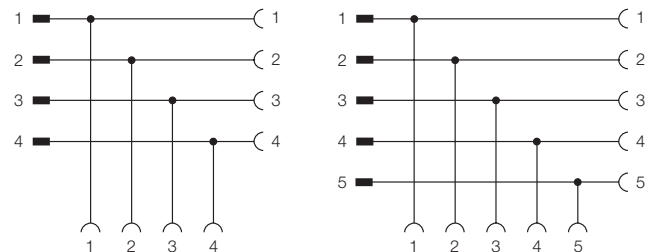


Number of poles 4 poles
Ampacity 4 A
Rated voltage max. 250 V

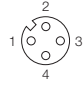
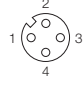
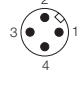
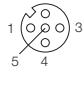
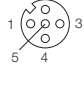
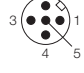
Number of poles 5 poles
Ampacity 4 A
Rated voltage max. 60 V

Insulation resistance $\geq 10^9 \Omega$
Volume resistance $\leq 5 m\Omega$
Degree of pollution 3/2

Ambient temperature junction-box -30 ... +90 °C
Protection class IP67
Mechanical life cycle max. 100 contact durability



Standard cable-length

Coding	Cable-quality Wire-construction	Type-designation Order-number
4 poles 		
4 poles 		FKM4-FKM4-FSM4 8009675
4 poles 		
5 poles 		
5 poles 		FKM5-FKM5-FSM5 8011661
5 poles 		

2-way junction-systems

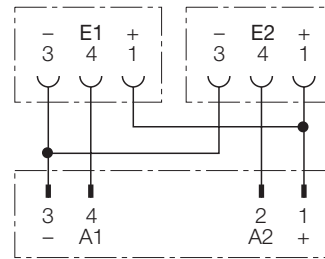
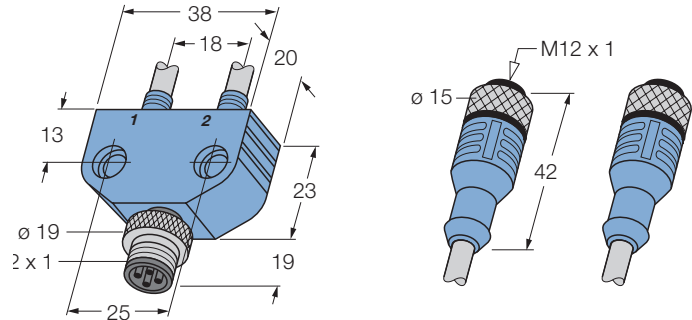
Block-splitter, plug M12 x 1 with cable - 2x coupling M12 x 1 with cable

Junction-box block-splitter, with cable, 4/3 poles
 Connector plug, M12 x 1, straight, 4 poles
 Body plastic, TPU, blue
 Coupling nut metal, CuZn, nickel-plated
 Contact carrier plastic, TPU, black
 Contacts metal, CuZn, gold-plated

Connector coupling, 2x, M12 x 1, straight, 3 poles
 Body plastic, TPU, blue
 coupling-nut metal, CuZn, nickel-plated
 Contact carrier plastic, TPU, black
 Contacts metal, CuZn, gold-plated
 Sealing plastic, FPM (Viton)

Rated voltage max. 250 V
 Ampacity 4 A
 Insulation resistance $\geq 10^9 \Omega$
 Volume resistance $\leq 5 \text{ m}\Omega$
 Degree of pollution 3/2

Ambient temperature junction-box -30 ... +90 °C
 Protection class IP67
 Mechanical life cycle max. 100 contact durability

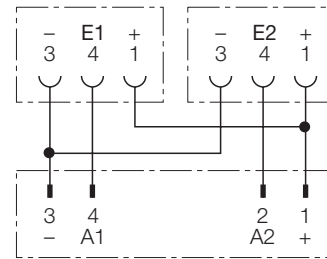
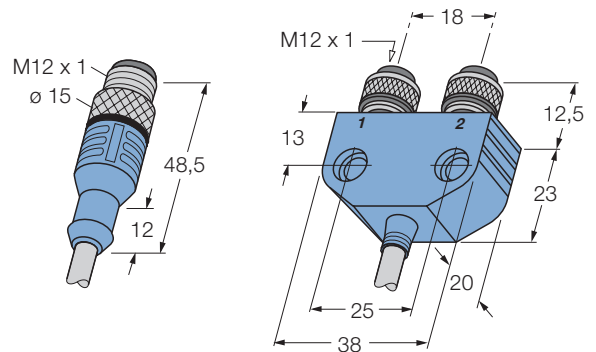


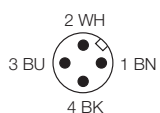
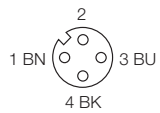
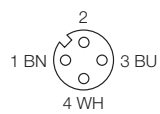
Coding	Cable-quality Wire-construction	Standard cable-length		
		0,3m	0,6m	1m
4 poles 	PVC, grey 4 x 0,34 mm ² / Ø 5,2 mm	FSM4-2WAK3-0,3/0,3/S89/P00 8009590	...-0,6-/ 8009594	...-1-/ 8009564
	PVC, irradiated, orange 4 x 0,34 mm ² / Ø 5,2 mm	FSM4-2WAK3-0,3/0,3/S89/XOR 8009593	...-0,6-/ 8009598	...-1-/ 8009569
	PUR/PVC, grey 4 x 0,34 mm ² / Ø 5,2 mm	FSM4-2WAK3-0,3/0,3/S89/S90 8008715	...-0,6-/ 8009597	...-1-/ 8009568
	PUR, halogenfree, orange 4 x 0,34 mm ² / Ø 4,6 mm	FSM4-2WAK3-0,3/0,3/S89/S74 8009591	...-0,6-/ 8009595	...-1-/ 8009565
	PUR, halogenfree, grey 4 x 0,34 mm ² / Ø 5,2 mm	FSM4-2WAK3-0,3/0,3/S89/S366 on request	...-0,6-/ on request	...-1-/ on request
	PUR, irradiated, orange 4 x 0,34 mm ² / Ø 4,4 mm	FSM4-2WAK3-0,3/0,3/S89/S398 on request	...-0,6-/ on request	...-1-/ on request
3 poles 	PVC, grey 4 x 0,34 mm ² / Ø 5,2 mm	FSM4-2WAK3-1,5/1,5/S89/P00 8009600	...-2-/ 8009574	...-5-/ 8009584
	PVC, irradiated, orange 4 x 0,34 mm ² / Ø 5,2 mm	FSM4-2WAK3-1,5/1,5/S89/XOR 8009604	...-2-/ 8009579	...-5-/ 8009589
	PUR/PVC, grey 4 x 0,34 mm ² / Ø 5,2 mm	FSM4-2WAK3-1,5/1,5/S89/S90 8009603	...-2-/ 8009578	...-5-/ 8009588
	PUR, halogenfree, orange 4 x 0,34 mm ² / Ø 4,6 mm	FSM4-2WAK3-1,5/1,5/S89/S74 8009601	...-2-/ 8009575	...-5-/ 8009585
	PUR, halogenfree, grey 4 x 0,34 mm ² / Ø 5,2 mm	FSM4-2WAK3-1,5/1,5/S89/S366 on request	...-2-/ on request	...-5-/ on request
	PUR, irradiated, orange 4 x 0,34 mm ² / Ø 4,4 mm	FSM4-2WAK3-1,5/1,5/S89/S398 on request	...-2-/ on request	...-5-/ on request
3 poles 	PVC, grey 4 x 0,34 mm ² / Ø 5,2 mm	FSM4-2WAK3-1,5/1,5/S89/P00 8009600	...-2-/ 8009574	...-5-/ 8009584
	PVC, irradiated, orange 4 x 0,34 mm ² / Ø 5,2 mm	FSM4-2WAK3-1,5/1,5/S89/XOR 8009604	...-2-/ 8009579	...-5-/ 8009589
	PUR/PVC, grey 4 x 0,34 mm ² / Ø 5,2 mm	FSM4-2WAK3-1,5/1,5/S89/S90 8009603	...-2-/ 8009578	...-5-/ 8009588
	PUR, halogenfree, orange 4 x 0,34 mm ² / Ø 4,6 mm	FSM4-2WAK3-1,5/1,5/S89/S74 8009601	...-2-/ 8009575	...-5-/ 8009585
	PUR, halogenfree, grey 4 x 0,34 mm ² / Ø 5,2 mm	FSM4-2WAK3-1,5/1,5/S89/S366 on request	...-2-/ on request	...-5-/ on request
	PUR, irradiated, orange 4 x 0,34 mm ² / Ø 4,4 mm	FSM4-2WAK3-1,5/1,5/S89/S398 on request	...-2-/ on request	...-5-/ on request

2-way junction-systems

Block-splitter, plug M12 x 1 with cable - 2x coupling M12 x 1

Junction-box	block-splitter, with cable, 4/3 poles
Connector	plug, M12 x 1, straight, 4 poles
Body	plastic, TPU, blue
Coupling nut	metal, CuZn, nickel-plated
Contact carrier	plastic, TPU, black
Contacts	metal, CuZn, gold-plated
Connector	coupling, 2x, M12 x 1, straight, 3 poles
Body	plastic, TPU, blue
coupling-nut	metal, CuZn, nickel-plated
Contact carrier	plastic, TPU, black
Contacts	metal, CuZn, gold-plated
Sealing	plastic, FPM (Viton)
Rated voltage	max. 250 V
Ampacity	4 A
Insulation resistance	$\geq 10^9 \Omega$
Volume resistance	$\leq 5 \text{ m}\Omega$
Degree of pollution	3/2
Ambient temperature junction-box	-30 ... +90 °C
Protection class	IP67
Mechanical life cycle	max. 100 contact durability



Coding	Cable-quality Wire-construction	Standard cable-length			
		0,3m	0,6m	1m	
4 poles 	PVC, grey 4 x 0,34 mm ² / Ø 5,2 mm	WAS4-0,3-2FKM3/S89/P00 8012653	...-0,6-/... 8012654	...-1-/... 8012655	
	PVC, irradiated, orange 4 x 0,34 mm ² / Ø 5,2 mm	WAS4-0,3-2FKM3/S89/XOR 8012665	...-0,6-/... 8012666	...-1-/... 8012667	
	PUR/PVC, grey 4 x 0,34 mm ² / Ø 5,2 mm	WAS4-0,3-2FKM3/S89/S90 8012659	...-0,6-/... 8012660	...-1-/... 8012661	
	PUR, halogenfree, orange 4 x 0,34 mm ² / Ø 4,6 mm	WAS4-0,3-2FKM3/S89/S74 8012671	...-0,6-/... 8012672	...-1-/... 8012673	
	PUR, halogenfree, grey 4 x 0,34 mm ² / Ø 5,2 mm	WAS4-0,3-2FKM3/S89/S366 on request	...-0,6-/... on request	...-1-/... on request	
	PUR, irradiated, orange 4 x 0,34 mm ² / Ø 4,4 mm	WAS4-0,3-2FKM3/S89/S398 on request	...-0,6-/... on request	...-1-/... on request	
	3 poles 	PVC, grey 4 x 0,34 mm ² / Ø 5,2 mm	WAS4-1,5-2FKM3/S89/P00 8012656	...-2-/... 8012657	...-5-/... 8012658
		PVC, irradiated, orange 4 x 0,34 mm ² / Ø 5,2 mm	WAS4-1,5-2FKM3/S89/XOR 8012668	...-2-/... 8012669	...-5-/... 8012670
		PUR/PVC, grey 4 x 0,34 mm ² / Ø 5,2 mm	WAS4-1,5-2FKM3/S89/S90 8012662	...-2-/... 8012663	...-5-/... 8012664
		PUR, halogenfree, orange 4 x 0,34 mm ² / Ø 4,6 mm	WAS4-1,5-2FKM3/S89/S74 8012674	...-2-/... 8012675	...-5-/... 8012676
PUR, halogenfree, grey 4 x 0,34 mm ² / Ø 5,2 mm		WAS4-1,5-2FKM3/S89/S366 on request	...-2-/... on request	...-5-/... on request	
PUR, irradiated, orange 4 x 0,34 mm ² / Ø 4,4 mm		WAS4-1,5-2FKM3/S89/S398 on request	...-2-/... on request	...-5-/... on request	
3 poles 		PVC, grey 4 x 0,34 mm ² / Ø 5,2 mm	WAS4-1,5-2FKM3/S89/P00 8012656	...-2-/... 8012657	...-5-/... 8012658
		PVC, irradiated, orange 4 x 0,34 mm ² / Ø 5,2 mm	WAS4-1,5-2FKM3/S89/XOR 8012668	...-2-/... 8012669	...-5-/... 8012670
		PUR/PVC, grey 4 x 0,34 mm ² / Ø 5,2 mm	WAS4-1,5-2FKM3/S89/S90 8012662	...-2-/... 8012663	...-5-/... 8012664
		PUR, halogenfree, orange 4 x 0,34 mm ² / Ø 4,6 mm	WAS4-1,5-2FKM3/S89/S74 8012674	...-2-/... 8012675	...-5-/... 8012676

Subject to change without notice Edition: 05.2004

2-way junction-systems

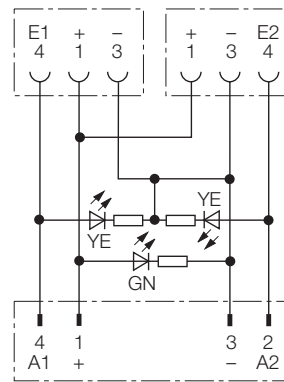
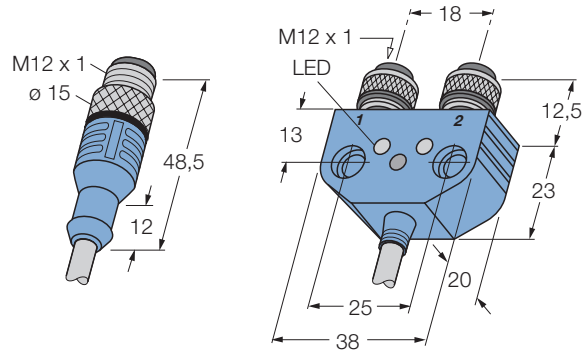
Block-splitter, plug M12 x 1 with cable - 2x coupling M12 x 1 with 3-fold LED

Junction-box block-splitter, with cable, 4/3 poles
 Connector plug, M12 x 1, straight, 4 poles
 Body plastic, TPU, blue
 Coupling nut metal, CuZn, nickel-plated
 Contact carrier plastic, TPU, black
 Contacts metal, CuZn, gold-plated

Connector coupling, 2x, M12 x 1, straight, 3 poles
 Body plastic, TPU, blue
 coupling-nut metal, CuZn, nickel-plated
 Contact carrier plastic, TPU, black
 Contacts metal, CuZn, gold-plated
 Sealing plastic, FPM (Viton)

Rated voltage 10 ...30
 Ampacity 4 A
 Insulation resistance $\geq 10^9 \Omega$
 Volume resistance $\leq 5 \text{ m}\Omega$
 Degree of pollution 3/2
 Supply voltage LEDgreen
 Switching status display LED, yellow
 Switching function pnp

Ambient temperature junction-box -30 ... +90 °C
 Protection class IP67
 Mechanical life cycle max. 100 contact durability



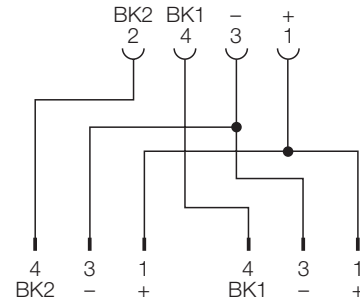
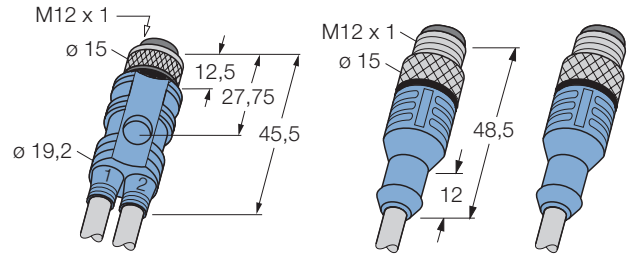
Coding	Cable-quality Wire-construction	Standard cable-length		
		0,3m	0,6m	1m
4 poles 	PVC, grey 4 x 0,34 mm ² / Ø 5,2 mm	WAS4-0,3-2FKM3P3/S89/P00 on request	...-0,6-/-... on request	...-1-/-... on request
	PVC, irradiated, orange 4 x 0,34 mm ² / Ø 5,2 mm	WAS4-0,3-2FKM3P3/S89/XOR on request	...-0,6-/-... on request	...-1-/-... 8015710
	PUR/PVC, grey 4 x 0,34 mm ² / Ø 5,2 mm	WAS4-0,3-2FKM3P3/S89/S90 on request	...-0,6-/-... on request	...-1-/-... on request
	PUR, halogenfree, orange 4 x 0,34 mm ² / Ø 4,6 mm	WAS4-0,3-2FKM3P3/S89/S74 on request	...-0,6-/-... 8015522	...-1-/-... 8015523
	PUR, halogenfree, grey 4 x 0,34 mm ² / Ø 5,2 mm	WAS4-0,3-2FKM3P3/S89/S366 on request	...-0,6-/-... on request	...-1-/-... on request
	PUR, irradiated, orange 4 x 0,34 mm ² / Ø 4,4 mm	WAS4-0,3-2FKM3P3/S89/S398 on request	...-0,6-/-... on request	...-1-/-... on request
3 poles 	PVC, grey 4 x 0,34 mm ² / Ø 5,2 mm	WAS4-1,5-2FKM3P3/S89/P00 on request	...-2-/-... on request	...-5-/-... on request
	PVC, irradiated, orange 4 x 0,34 mm ² / Ø 5,2 mm	WAS4-1,5-2FKM3P3/S89/XOR on request	...-2-/-... on request	...-5-/-... on request
	PUR/PVC, grey 4 x 0,34 mm ² / Ø 5,2 mm	WAS4-1,5-2FKM3P3/S89/S90 on request	...-2-/-... on request	...-5-/-... on request
	PUR, halogenfree, orange 4 x 0,34 mm ² / Ø 4,6 mm	WAS4-1,5-2FKM3P3/S89/S74 on request	...-2-/-... on request	...-5-/-... on request
	PUR, halogenfree, grey 4 x 0,34 mm ² / Ø 5,2 mm	WAS4-1,5-2FKM3P3/S89/S366 on request	...-2-/-... on request	...-5-/-... on request
	PUR, irradiated, orange 4 x 0,34 mm ² / Ø 4,4 mm	WAS4-1,5-2FKM3P3/S89/S398 on request	...-2-/-... on request	...-5-/-... on request
3 poles 	PVC, grey 4 x 0,34 mm ² / Ø 5,2 mm	WAS4-1,5-2FKM3P3/S89/P00 on request	...-2-/-... on request	...-5-/-... on request
	PVC, irradiated, orange 4 x 0,34 mm ² / Ø 5,2 mm	WAS4-1,5-2FKM3P3/S89/XOR on request	...-2-/-... on request	...-5-/-... on request
	PUR/PVC, grey 4 x 0,34 mm ² / Ø 5,2 mm	WAS4-1,5-2FKM3P3/S89/S90 on request	...-2-/-... on request	...-5-/-... on request
	PUR, halogenfree, orange 4 x 0,34 mm ² / Ø 4,6 mm	WAS4-1,5-2FKM3P3/S89/S74 on request	...-2-/-... on request	...-5-/-... on request
	PUR, halogenfree, grey 4 x 0,34 mm ² / Ø 5,2 mm	WAS4-1,5-2FKM3P3/S89/S366 on request	...-2-/-... on request	...-5-/-... on request
	PUR, irradiated, orange 4 x 0,34 mm ² / Ø 4,4 mm	WAS4-1,5-2FKM3P3/S89/S398 on request	...-2-/-... on request	...-5-/-... on request

2-way junction-systems

Y - splitter, coupling M12 x 1 -

2x plug M12 x 1 with cable

Junction-box	Y-splitter, with cable, 4/3 poles
Connector	coupling, M12 x 1, straight, 4 poles
Body	plastic, TPU, blue
Coupling nut	metal, CuZn, nickel-plated
Contact carrier	plastics, TPU, black
Contacts	metal, CuZn, gold-plated
Sealing	plastic, FPM (Viton)
Connector	plug, 2x, M12 x 1, straight, 3 poles
Body	plastic, TPU, blue
coupling-nut	metal, CuZn, nickel-plated
Contact carrier	plastics, TPU, black
Contacts	metal, CuZn, gold-plated
Rated voltage	max. 250 V
Ampacity	4 A
Insulation resistance	$\geq 10^9 \Omega$
Volume resistance	$\leq 5 \text{ m}\Omega$
Degree of pollution	3/2
Ambient temperature junction-box	-30 ... +90 °C
Protection class	IP67
Mechanical life cycle	max. 100 contact durability



Coding	Cable-quality Wire-construction	Standard cable-length			
		0,3m	0,6m	1m	
4 poles 	PVC, grey 4 x 0,34 mm ² / Ø 5,2 mm	FKM4-2WAS3-0,3/0,3/P00 8008096	...-0,6-/ 8008101	...-1-/ 8009622	
	PVC, irradiated, orange 4 x 0,34 mm ² / Ø 5,2 mm	FKM4-2WAS3-0,3/0,3/XOR 8008098	...-0,6-/ 8008103	...-1-/ 8009624	
	PUR/PVC, grey 4 x 0,34 mm ² / Ø 5,2 mm	FKM4-2WAS3-0,3/0,3/S90 8008097	...-0,6-/ 8008102	...-1-/ 8009623	
	PUR, halogenfree, orange 4 x 0,34 mm ² / Ø 4,6 mm	FKM4-2WAS3-0,3/0,3/S74 8008100	...-0,6-/ 8008105	...-1-/ 8009626	
	PUR, halogenfree, grey 4 x 0,34 mm ² / Ø 5,2 mm	FKM4-2WAS3-0,3/0,3/S366 8026161	...-0,6-/ 8026162	...-1-/ 8026163	
	PUR, irradiated, orange 4 x 0,34 mm ² / Ø 4,4 mm	FKM4-2WAS3-0,3/0,3/S398 8017860	...-0,6-/ 8019469	...-1-/ 8018368	
	3 poles 	PVC, grey 4 x 0,34 mm ² / Ø 5,2 mm	FKM4-2WAS3-1,5/1,5/P00 8008106	...-2-/ 8009627	...-5-/ 8009632
		PVC, irradiated, orange 4 x 0,34 mm ² / Ø 5,2 mm	FKM4-2WAS3-1,5/1,5/XOR 8008108	...-2-/ 8009629	...-5-/ 8009634
		PUR/PVC, grey 4 x 0,34 mm ² / Ø 5,2 mm	FKM4-2WAS3-1,5/1,5/S90 8008107	...-2-/ 8009628	...-5-/ 8009633
		PUR, halogenfree, orange 4 x 0,34 mm ² / Ø 4,6 mm	FKM4-2WAS3-1,5/1,5/S74 8008110	...-2-/ 8009631	...-5-/ 8009636
PUR, halogenfree, grey 4 x 0,34 mm ² / Ø 5,2 mm		FKM4-2WAS3-1,5/1,5/S366 8026164	...-2-/ 8026165	...-5-/ 8026166	
PUR, irradiated, orange 4 x 0,34 mm ² / Ø 4,4 mm		FKM4-2WAS3-1,5/1,5/S398 8026224	...-2-/ 8018927	...-5-/ 8026225	
3 poles 	PVC, grey 4 x 0,34 mm ² / Ø 5,2 mm	FKM4-2WAS3-1,5/1,5/P00 8008106	...-2-/ 8009627	...-5-/ 8009632	
	PVC, irradiated, orange 4 x 0,34 mm ² / Ø 5,2 mm	FKM4-2WAS3-1,5/1,5/XOR 8008108	...-2-/ 8009629	...-5-/ 8009634	
	PUR/PVC, grey 4 x 0,34 mm ² / Ø 5,2 mm	FKM4-2WAS3-1,5/1,5/S90 8008107	...-2-/ 8009628	...-5-/ 8009633	
	PUR, halogenfree, orange 4 x 0,34 mm ² / Ø 4,6 mm	FKM4-2WAS3-1,5/1,5/S74 8008110	...-2-/ 8009631	...-5-/ 8009636	
	PUR, halogenfree, grey 4 x 0,34 mm ² / Ø 5,2 mm	FKM4-2WAS3-1,5/1,5/S366 8026164	...-2-/ 8026165	...-5-/ 8026166	
	PUR, irradiated, orange 4 x 0,34 mm ² / Ø 4,4 mm	FKM4-2WAS3-1,5/1,5/S398 8026224	...-2-/ 8018927	...-5-/ 8026225	

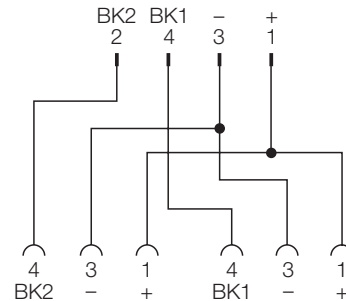
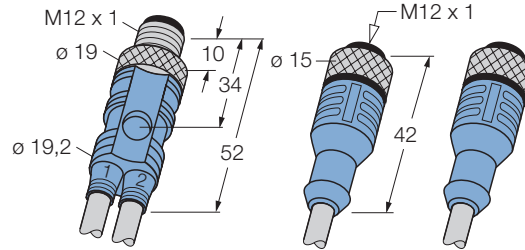
Subject to change without notice Edition: 05.2004

2-way junction-systems

Y - splitter, plug M12 x 1 -

2x coupling M12 x 1 with cable

Junction-box	Y-splitter, with cable, 4/3 poles
Connector	plug, M12 x 1, straight, 4 poles
Body	plastic, TPU, blue
Coupling nut	metal, CuZn, nickel-plated
Contact carrier	plastic, TPU, black
Contacts	metal, CuZn, gold-plated
Connector	coupling, 2x, M12 x 1, straight, 3 poles
Body	plastic, TPU, blue
coupling-nut	metal, CuZn, nickel-plated
Contact carrier	plastic, TPU, black
Contacts	metal, CuZn, gold-plated
Sealing	plastic, FPM (Viton)
Rated voltage	max. 250 V
Ampacity	4 A
Insulation resistance	$\geq 10^9 \Omega$
Volume resistance	$\leq 5 \text{ m}\Omega$
Degree of pollution	3/2
Ambient temperature junction-box	-30 ... +90 °C
Protection class	IP67
Mechanical life cycle	max. 100 contact durability



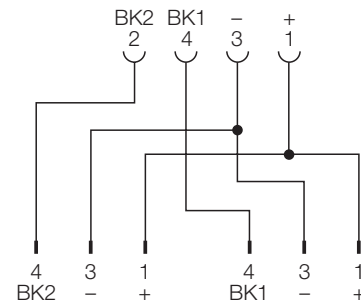
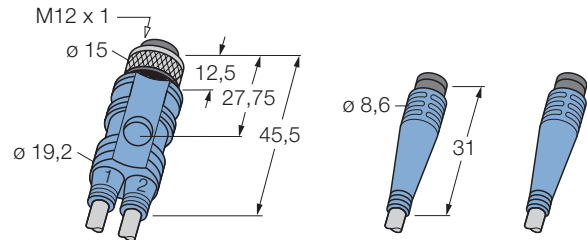
Coding	Cable-quality Wire-construction	Standard cable-length			
		0,3m	0,6m	1m	
4 poles 3 poles 3 poles 	PVC, grey 4 x 0,34 mm ² / Ø 5,2 mm	FSM4-2WAK3-0,3/0,3/P00 8008065	...-0,6-/-... 8008070	...-1-/-... 8009560	
	PVC, irradiated, orange 4 x 0,34 mm ² / Ø 5,2 mm	FSM4-2WAK3-0,3/0,3/XOR 8008067	...-0,6-/-... 8008072	...-1-/-... 8009562	
	PUR/PVC, grey 4 x 0,34 mm ² / Ø 5,2 mm	FSM4-2WAK3-0,3/0,3/S90 8008066	...-0,6-/-... 8008071	...-1-/-... 8009561	
	PUR, halogenfree, orange 4 x 0,34 mm ² / Ø 4,6 mm	FSM4-2WAK3-0,3/0,3/S74 8008069	...-0,6-/-... 8008074	...-1-/-... 8009567	
	PUR, halogenfree, grey 4 x 0,34 mm ² / Ø 5,2 mm	FSM4-2WAK3-0,3/0,3/S366 8026168	...-0,6-/-... 8026169	...-1-/-... 8026170	
	PUR, irradiated, orange 4 x 0,34 mm ² / Ø 4,4 mm	FSM4-2WAK3-0,3/0,3/S398 8017324	...-0,6-/-... 8018817	...-1-/-... 8018058	
			Standard cable-length		
			1,5m	2m	5m
	PVC, grey 4 x 0,34 mm ² / Ø 5,2 mm		FSM4-2WAK3-1,5/1,5/P00 8008075	...-2-/-... 8009570	...-5-/-... 8009580
	PVC, irradiated, orange 4 x 0,34 mm ² / Ø 5,2 mm		FSM4-2WAK3-1,5/1,5/XOR 8008077	...-2-/-... 8009572	...-5-/-... 8009582
PUR/PVC, grey 4 x 0,34 mm ² / Ø 5,2 mm		FSM4-2WAK3-1,5/1,5/S90 8008076	...-2-/-... 8009571	...-5-/-... 8009581	
PUR, halogenfree, orange 4 x 0,34 mm ² / Ø 4,6 mm		FSM4-2WAK3-1,5/1,5/S74 8008078	...-2-/-... 8009577	...-5-/-... 8009587	
PUR, halogenfree, grey 4 x 0,34 mm ² / Ø 5,2 mm		FSM4-2WAK3-1,5/1,5/S366 8026171	...-2-/-... 8026172	...-5-/-... 8026173	
PUR, irradiated, orange 4 x 0,34 mm ² / Ø 4,4 mm		FSM4-2WAK3-1,5/1,5/S398 8018818	...-2-/-... 8018753	...-5-/-... 8018820	

2-way junction-systems

Y - splitter, coupling M12 x 1 -

2x plug Ø 8mm with cable

Junction-box	Y-splitter, with cable, 4/3 poles
Connector	coupling, M12 x 1, straight, 4 poles
Body	plastic, TPU, blue
Coupling nut	metal, CuZn, nickel-plated
Contact carrier	plastic, TPU, black
Contacts	metal, CuZn, gold-plated
Sealing	plastic, FPM (Viton)
Connector	plug, 2x, Ø 8 mm, straight, 3 poles
Body	plastic, TPU, blue
Contact carrier	plastic, PA 6-3-T, black
Contacts	metal, CuZn, gold-plated
Rated voltage	max. 60 V
Ampacity	4 A
Insulation resistance	≥ 10 ⁹ Ω
Volume resistance	≤ 5 mΩ
Degree of pollution	3/2
Ambient temperature junction-box	-30 ... +90 °C
Protection class	IP67
Mechanical life cycle	max. 100 contact durability



Coding	Cable-quality Wire-construction	Standard cable-length		
		0,3m	0,6m	1m
4 poles 	PVC, grey 4 x 0,25 mm ² / Ø 4,4 mm	FKM4-2SP3-0,3/0,3/P00 8008085	...-0,6-/... 8008088	...-1-/... 8009608
	PVC, irradiated, orange 4 x 0,25 mm ² / Ø 4,4 mm	FKM4-2SP3-0,3/0,3/XOR 8009620	...-0,6-/... 8008090	...-1-/... 8009610
	PUR/PVC, grey 4 x 0,25 mm ² / Ø 4,4 mm	FKM4-2SP3-0,3/0,3/S90 8008086	...-0,6-/... 8008089	...-1-/... 8009609
	PUR, halogenfree, orange 4 x 0,25 mm ² / Ø 4,4 mm	FKM4-2SP3-0,3/0,3/S74 8008087	...-0,6-/... 8008091	...-1-/... 8009611
	PUR, halogenfree, grey 4 x 0,25 mm ² / Ø 4,4 mm	FKM4-2SP3-0,3/0,3/S366 8026175	...-0,6-/... 8026176	...-1-/... 8026177
	PUR, irradiated, orange 4 x 0,34 mm ² / Ø 4,4 mm	FKM4-2SP3-0,3/0,3/S77/S398 8026182	...-0,6-/... 8026183	...-1-/... 8026184
	3 poles 3 poles 	Standard cable-length		
		1,5m	2m	5m
PVC, grey 4 x 0,25 mm ² / Ø 4,4 mm		FKM4-2SP3-1,5/1,5/P00 8008092	...-2-/... 8009612	...-5-/... 8009616
PVC, irradiated, orange 4 x 0,25 mm ² / Ø 4,4 mm		FKM4-2SP3-1,5/1,5/XOR 8008094	...-2-/... 8009614	...-5-/... 8009618
PUR/PVC, grey 4 x 0,25 mm ² / Ø 4,4 mm		FKM4-2SP3-1,5/1,5/S90 8008093	...-2-/... 8009613	...-5-/... 8009617
PUR, halogenfree, orange 4 x 0,25 mm ² / Ø 4,4 mm		FKM4-2SP3-1,5/1,5/S74 8008095	...-2-/... 8009615	...-5-/... 8009619
PUR, halogenfree, grey 4 x 0,25 mm ² / Ø 4,4 mm		FKM4-2SP3-1,5/1,5/S366 8026178	...-2-/... 8026179	...-5-/... 8026180
PUR, irradiated, orange 4 x 0,34 mm ² / Ø 4,4 mm		FKM4-2SP3-1,5/1,5/S77/S398 8026185	...-2-/... 8026186	...-5-/... 8026187

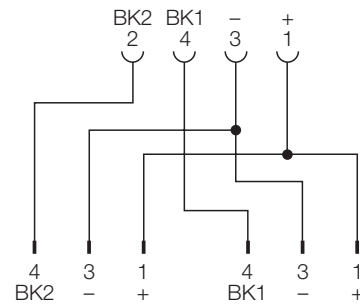
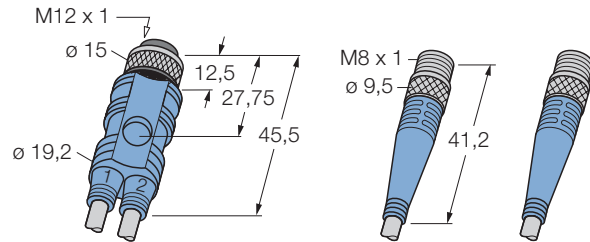
Subject to change without notice Edition: 05.2004

2-way junction-systems

Y - splitter, coupling M12 x 1 -

2x plug M8 x 1 with cable, screwable

Junction-box	Y-splitter, with cable, screwable, 4/3 poles
Connector	coupling, M12 x 1, straight, 4 poles
Body	plastic, TPU, blue
Coupling nut	metal, CuZn, nickel-plated
Contact carrier	plastic, TPU, black
Contacts	metal, CuZn, gold-plated
Sealing	plastic, FPM (Viton)
Connector	plug, 2x, M8 x 1, straight, 3 poles
Body	plastic, TPU, blue
coupling-nut	metal, CuZn, nickel-plated
Contact carrier	plastic, TPU, black
Contacts	metal, CuZn, gold-plated
Rated voltage	max. 60 V
Ampacity	4 A
Insulation resistance	$\geq 10^9 \Omega$
Volume resistance	$\leq 5 \text{ m}\Omega$
Degree of pollution	3/2
Ambient temperature junction-box	-30 ... +90 °C
Protection class	IP67
Mechanical life cycle	max. 100 contact durability



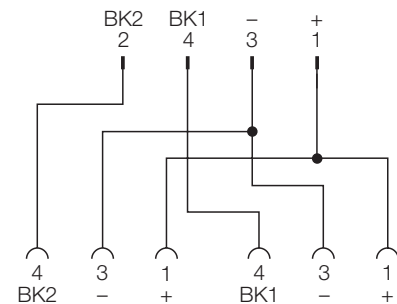
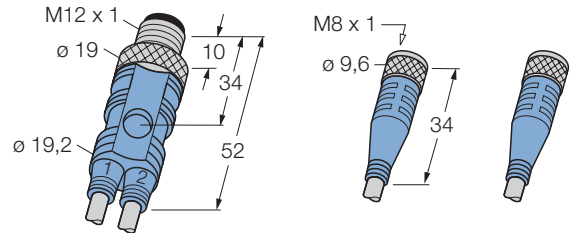
Coding	Cable-quality Wire-construction	Standard cable-length		
		0,3m	0,6m	1m
4 poles 	PVC, grey 4 x 0,25 mm ² / Ø 4,4 mm	FKM4-2SSP3-0,3/0,3/P00 8008126	...-0,6-/ 8008130	...-1-/ 8009657
	PVC, irradiated, orange 4 x 0,25 mm ² / Ø 4,4 mm	FKM4-2SSP3-0,3/0,3/XOR 8008128	...-0,6-/ 8008132	...-1-/ 8009659
	PUR/PVC, grey 4 x 0,25 mm ² / Ø 4,4 mm	FKM4-2SSP3-0,3/0,3/S90 8008127	...-0,6-/ 8008131	...-1-/ 8009658
	PUR, halogenfree, orange 4 x 0,25 mm ² / Ø 4,4 mm	FKM4-2SSP3-0,3/0,3/S74 8008129	...-0,6-/ 8008133	...-1-/ 8009661
	PUR, halogenfree, grey 4 x 0,25 mm ² / Ø 4,4 mm	FKM4-2SSP3-0,3/0,3/S366 8026189	...-0,6-/ 8026190	...-1-/ 8026191
	PUR, irradiated, orange 4 x 0,34 mm ² / Ø 4,4 mm	FKM4-2SSP3-0,3/0,3/S77/S398 8015606	...-0,6-/ 8026227	...-1-/ 8026228
3 poles 3 poles 		Standard cable-length		
		1,5m	2m	5m
	PVC, grey 4 x 0,25 mm ² / Ø 4,4 mm	FKM4-2SSP3-1,5/1,5/P00 8008134	...-2-/ 8009662	...-5-/ 8009667
	PVC, irradiated, orange 4 x 0,25 mm ² / Ø 4,4 mm	FKM4-2SSP3-1,5/1,5/XOR 8008136	...-2-/ 8009664	...-5-/ 8009669
	PUR/PVC, grey 4 x 0,25 mm ² / Ø 4,4 mm	FKM4-2SSP3-1,5/1,5/S90 8008135	...-2-/ 8009663	...-5-/ 8009668
	PUR, halogenfree, orange 4 x 0,25 mm ² / Ø 4,4 mm	FKM4-2SSP3-1,5/1,5/S74 8008137	...-2-/ 8009666	...-5-/ 8009671
	PUR, halogenfree, grey 4 x 0,25 mm ² / Ø 4,4 mm	FKM4-2SSP3-1,5/1,5/S366 8026192	...-2-/ 8026193	...-5-/ 8026194
	PUR, irradiated, orange 4 x 0,34 mm ² / Ø 4,4 mm	FKM4-2SSP3-1,5/1,5/S77/S398 8026229	...-2-/ 8026230	...-5-/ 8026231

2-way junction-systems

Y - splitter, plug M12 x 1 -

2x coupling M8 x 1 with cable, screwable

Junction-box	Y-splitter, with cable, screwable, 4/3 poles
Connector	plug, M12 x 1, straight, 4 poles
Body	plastic, TPU, blue
Coupling nut	metal, CuZn, nickel-plated
Contact carrier	plastic, TPU, black
Contacts	metal, CuZn, gold-plated
Connector	coupling, 2x, M8 x 1, straight, 3 poles
Body	plastic, TPU, blue
coupling-nut	metal, CuZn, nickel-plated
Contact carrier	plastic, TPU, black
Contacts	metal, CuZn, gold-plated
Sealing	plastic, FPM (Viton)
Rated voltage	max. 60 V
Ampacity	4 A
Insulation resistance	$\geq 10^9 \Omega$
Volume resistance	$\leq 5 \text{ m}\Omega$
Degree of pollution	3/2
Ambient temperature junction-box	-30 ... +90 °C
Protection class	IP67
Mechanical life cycle	max. 100 contact durability



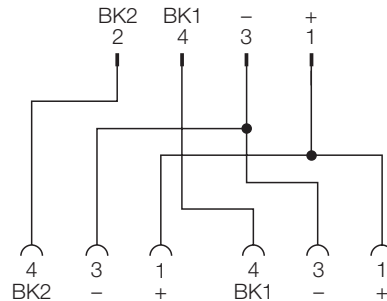
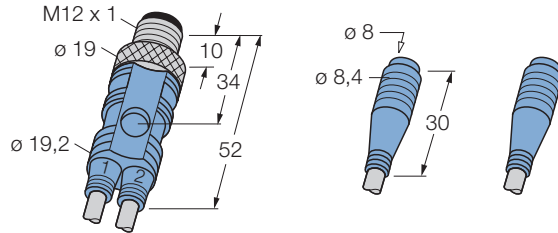
Coding	Cable-quality Wire-construction	Standard cable-length		
		0,3m	0,6m	1m
4 poles 3 poles 3 poles 	PVC, grey 4 x 0,25 mm ² / Ø 4,4 mm	FSM4-2SKP3-0,3/0,3/P00 8008053	...-0,6-/... 8008057	...-1-/... 8009541
	PVC, irradiated, orange 4 x 0,25 mm ² / Ø 4,4 mm	FSM4-2SKP3-0,3/0,3/XOR 8008055	...-0,6-/... 8008059	...-1-/... 8009543
	PUR/PVC, grey 4 x 0,25 mm ² / Ø 4,4 mm	FSM4-2SKP3-0,3/0,3/S90 8008054	...-0,6-/... 8008058	...-1-/... 8009542
	PUR, halogenfree, orange 4 x 0,25 mm ² / Ø 4,4 mm	FSM4-2SKP3-0,3/0,3/S74 8008056	...-0,6-/... 8008060	...-1-/... 8009545
	PUR, halogenfree, grey 4 x 0,25 mm ² / Ø 4,4 mm	FSM4-2SKP3-0,3/0,3/S366 8026196	...-0,6-/... 8026197	...-1-/... 8026198
	PUR, irradiated, orange 4 x 0,34 mm ² / Ø 4,4 mm	FSM4-2SKP3-0,3/0,3/S77/S398 8026233	...-0,6-/... 8018846	...-1-/... 8021290
		Standard cable-length		
		1,5m	2m	5m
	PVC, grey 4 x 0,25 mm ² / Ø 4,4 mm	FSM4-2SKP3-1,5/1,5/P00 8008061	...-2-/... 8009546	...-5-/... 8009551
	PVC, irradiated, orange 4 x 0,25 mm ² / Ø 4,4 mm	FSM4-2SKP3-1,5/1,5/XOR 8008063	...-2-/... 8009548	...-5-/... 8009553
PUR/PVC, grey 4 x 0,25 mm ² / Ø 4,4 mm	FSM4-2SKP3-1,5/1,5/S90 8008062	...-2-/... 8009547	...-5-/... 8009552	
PUR, halogenfree, orange 4 x 0,25 mm ² / Ø 4,4 mm	FSM4-2SKP3-1,5/1,5/S74 8008064	...-2-/... 8009550	...-5-/... 8009555	
PUR, halogenfree, grey 4 x 0,25 mm ² / Ø 4,4 mm	FSM4-2SKP3-1,5/1,5/S366 8026199	...-2-/... 8026200	...-5-/... 8026201	
PUR, irradiated, orange 4 x 0,34 mm ² / Ø 4,4 mm	FSM4-2SKP3-1,5/1,5/S77/S398 8021806	...-2-/... 8026234	...-5-/... 8026235	

2-way junction-systems

Y - splitter, plug M12 x 1 -

2x coupling Ø8 mm with cable, snap-in

Junction-box	Y-splitter, with cable, snap-in, 4/3 poles
Connector	plug, M12 x 1, straight, 4 poles
Body	plastic, TPU, blue
Coupling nut	metal, CuZn, nickel-plated
Contact carrier	plastic, TPU, black
Contacts	metal, CuZn, gold-plated
Connector	coupling, 2x, Ø 8 mm, straight, 3 poles
Body	plastic, TPU, blue
Contact carrier	plastic, TPU, black
Contacts	metal, CuZn, gold-plated
Sealing	plastic, FPM (Viton)
Rated voltage	max. 60 V
Ampacity	4 A
Insulation resistance	≥ 10 ⁹ Ω
Volume resistance	≤ 5 mΩ
Degree of pollution	3/2
Ambient temperature junction-box	-30 ... +90 °C
Protection class	IP67
Mechanical life cycle	max. 100 contact durability

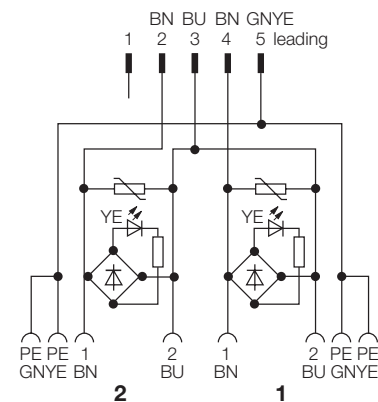
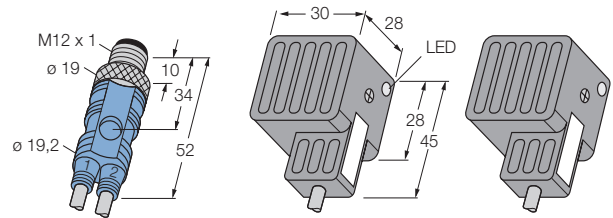


Coding	Cable-quality Wire-construction	Standard cable-length			
		0,3m	0,6m	1m	
4 poles 3 poles 3 poles 	PVC, grey 4 x 0,25 mm ² / Ø 4,4 mm	FSM4-2KP3-0,3/0,3/P00 8008140	...-0,6-/-... 8008144	...-1-/-... 8009676	
	PVC, irradiated, orange 4 x 0,25 mm ² / Ø 4,4 mm	FSM4-2KP3-0,3/0,3/XOR 8008142	...-0,6-/-... 8008146	...-1-/-... 8009678	
	PUR/PVC, grey 4 x 0,25 mm ² / Ø 4,4 mm	FSM4-2KP3-0,3/0,3/S90 8008141	...-0,6-/-... 8008145	...-1-/-... 8009677	
	PUR, halogenfree, orange 4 x 0,25 mm ² / Ø 4,4 mm	FSM4-2KP3-0,3/0,3/S74 8008143	...-0,6-/-... 8008147	...-1-/-... 8009680	
	PUR, halogenfree, grey 4 x 0,25 mm ² / Ø 4,4 mm	FSM4-2KP3-0,3/0,3/S366 8026203	...-0,6-/-... 8026204	...-1-/-... 8026205	
	PUR, irradiated, orange 4 x 0,34 mm ² / Ø 4,4 mm	FSM4-2KP3-0,3/0,3/S77/S398 8026210	...-0,6-/-... 8026211	...-1-/-... 8026212	
			Standard cable-length		
			1,5m	2m	5m
	PVC, grey 4 x 0,25 mm ² / Ø 4,4 mm	FSM4-2KP3-1,5/1,5/P00 8008148	...-2-/-... 8009681	...-5-/-... 8009686	
	PVC, irradiated, orange 4 x 0,25 mm ² / Ø 4,4 mm	FSM4-2KP3-1,5/1,5/XOR 8008150	...-2-/-... 8009683	...-5-/-... 8009688	
PUR/PVC, grey 4 x 0,25 mm ² / Ø 4,4 mm	FSM4-2KP3-1,5/1,5/S90 8008149	...-2-/-... 8009682	...-5-/-... 8009687		
PUR, halogenfree, orange 4 x 0,25 mm ² / Ø 4,4 mm	FSM4-2KP3-1,5/1,5/S74 8008151	...-2-/-... 8009685	...-5-/-... 8009690		
PUR, halogenfree, grey 4 x 0,25 mm ² / Ø 4,4 mm	FSM4-2KP3-1,5/1,5/S366 8026206	...-2-/-... 8026207	...-5-/-... 8026208		
PUR, irradiated, orange 4 x 0,34 mm ² / Ø 4,4 mm	FSM4-2KP3-1,5/1,5/S77/S398 8026213	...-2-/-... 8026214	...-5-/-... 8026215		

2-way junction-systems

Y - splitter, plug M12 x 1 with cable - 2x valveplug type A, 2-pole + ground

Junction-box	Y-Type, with cable, 3/2 poles + ground
Connector	plug, M12 x 1, straight, 3 poles + ground
Body	plastic, TPU, blue
Coupling nut	metal, CuZn, nickel-plated
Contact carrier	plastic, TPU, black
Contacts	metal, CuZn, gold-plated
Connector	Valveplug, 2x, M3-mounting bolt, Type of construction A, 2 poles + ground, ground jumpered
Body	plastic, TPU, black
Contact carrier	plastic, TPU, black
Light conductor	plastic, PC-transparente
Contacts	metal, CuSn, silver-plated
Sealing	plastics, TPU
Mounting nut	metal, CuZn, nickel-plated
Rated voltage	max.48VAC/DC
Ampacity	4 A
Insulation resistance	$\geq 10^9 \Omega$
Volume resistance	$\leq 5 \text{ m}\Omega$
Degree of pollution	3/2
Switching status display	LED, yellow
Protection component	varistor
Ambient temperature junction-box	-30 ... +90 °C
Protection class	IP67
Mechanical life cycle	max. 100 contact durability



Coding	Cable-quality Wire-construction	Standard cable-length			
		0,3m	0,6m	1m	
3 poles + ground 	PVC, grey 3 x 0,34 mm ² / Ø 5,2 mm	FSM5-2VAS22-2.048-0,3/0,3/P00 8008115	...-0,6-/... 8008119	...-1-/... 8009638	
	PVC, irradiated, orange 3 x 0,34 mm ² / Ø 5,2 mm	FSM5-2VAS-22-2.048-0,3/XOR 8008117	...-0,6-/... 8008121	...-1-/... 8009640	
	PUR/PVC, grey 3 x 0,34 mm ² / Ø 5,2 mm	FSM5-2VAS22-2.048-0,3/0,3/S90 8008116	...-0,6-/... 8008120	...-1-/... 8009639	
	PUR, halogenfree, orange 3 x 0,34 mm ² / Ø 5,2 mm	FSM5-2VAS22-2.048-0,3/0,3/S74 8008118	...-0,6-/... 8008122	...-1-/... 8009642	
	PUR, halogenfree, grey 3 x 0,75 mm ² / Ø 6,2 mm	FSM5-2VAS22-2.048-0,3/0,3/S366 8026217	...-0,6-/... 8026218	...-1-/... 8026219	
	PUR, irradiated, orange 3 x 0,34 mm ² / Ø 6,2 mm	FSM5-2VAS22-2.048-0,3/0,3/S398 8026237	...-0,6-/... 8017828	...-1-/... 8019404	
	2 poles + ground, ground jumpered 	PVC, grey 3 x 0,34 mm ² / Ø 5,2 mm	FSM5-2VAS22-2.048-1,5/1,5/P00 8009655	...-2-/... 8009643	...-5-/... 8009648
		PVC, irradiated, orange 3 x 0,34 mm ² / Ø 5,2 mm	FSM5-2VAS22-2.048-1,5/1,5/XOR 8008124	...-2-/... 8009645	...-5-/... 8009650
		PUR/PVC, grey 3 x 0,34 mm ² / Ø 5,2 mm	FSM5-2VAS22-2.048-1,5/1,5/S90 8008123	...-2-/... 8009644	...-5-/... 8009649
		PUR, halogenfree, orange 3 x 0,34 mm ² / Ø 5,2 mm	FSM5-2VAS22-2.048-1,5/1,5/S74 8008125	...-2-/... 8009647	...-5-/... 8009652
		PUR, halogenfree, grey 3 x 0,75 mm ² / Ø 6,2 mm	FSM5-2VAS22-2.048-1,5/1,5/S366 8026220	...-2-/... 8026221	...-5-/... 8026223
		PUR, irradiated, orange 3 x 0,34 mm ² / Ø 6,2 mm	FSM5-2VAS22-2.048-1,5/1,5/S398 8026238	...-2-/... 8026239	...-5-/... 8026240

Subject to change without notice Edition: 05.2004